



M9-USR-LM

0-10V Lighting Control Module with Metering and Temperature



PROUDLY MADE
IN AMERICA

Description

The M9-USR-LM Lighting Control Module responds to a variety of wireless EnOcean devices to control and dim LED drivers, fluorescent ballasts, or other switchable loads. The M9-USR-LM offers bi-directional, ON/OFF and 0-10V dimming control, temperature and real time power monitoring. When combined with a wireless light switch or automatic shut-off when combined with a wireless occupancy sensor. Additionally, the Lighting Control Module can perform occupancy-based setback dimming and self-contained daylight harvesting functions. Internal CT's allow real-time revenue-grade power consumption. The M9-USR-LM can be paired to compatible devices manually and for more sophisticated configuration. For manual pairing instructions, please refer to the M9-USR-LM Installation Guide.

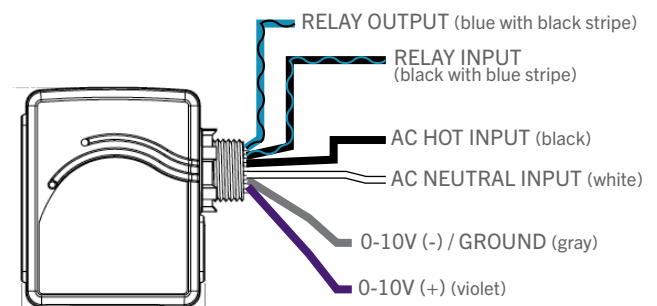
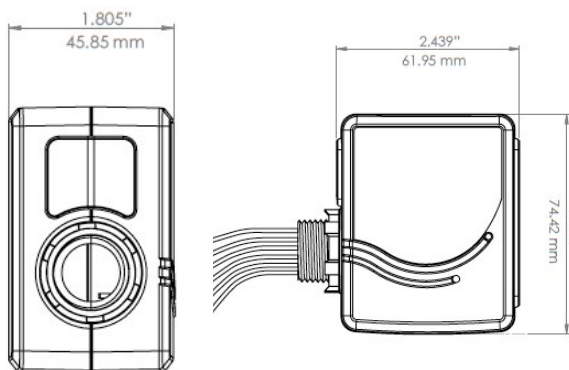
Operation

The M9-USR-LM operates on 100 to 277 VAC and includes one relay. It also includes 0-10V DC output for control of dimmable loads, including electronic ballasts. The M9-USR-LM receives signals from wireless sensors, switches and software as well as BACnet to EnOcean commands using M9-EBox.

Applications

The M9-USR-LM is ideal for single or multiple fixtures on/off or dimming control applications.

- Hotels & Resorts
- Colleges & Universities
- New Construction
- Executive Offices
- Daylight Harvesting
- Private Offices
- Retrofits
- Conference Rooms
- Lighted Hallways
- Classrooms





M9-USR-LM

0-10V Lighting Control Module with Metering and Temperature

| | |
|------------------------------------|--|
| Part Numbers (Frequency Dependant) | M9-USR-LM (902 MHz - North America) M8-USR-LM (868 MHz - Europe and China) MJ-USR-LM (928 MHz - Japan) |
| Transmission Range | Standard: Approx. 100ft (30m)/ Long Range: Approx. 1600 ft (487m) LINE OF SIGHT |
| EnOcean Profile | Magnum Proprietary Profile, A5-38-08 type 0x02 Dimming |
| Input Voltage | 100-277 VAC |
| Minimum Switched Voltage | 100 V @ 10 A |
| Maximum Switched Voltage | 277 V @ 10 A |
| Max Switched Power | 3300W @ 277VAC |
| Temperature Range | 32°F - 95°F (0° C - 35°C) |
| Relay Output | 1 N.O. (normally opened) and 1 Common contact |
| Dimmer Output | 0-10V, 30 mA (sinking drivers) 5mA (sourcing drivers) |
| Ambient Operating Temperature | 0-35°C for 3300 W load @ 277 VAC (preliminary) |
| Accuracy (Metering) | 0.5% (preliminary) |
| Dimensions | 2.439" x 2.934" x 1.805" (61.95 mm x 74.42 mm x 45.85 mm) |
| Certification | FCC (United States) SZV-TCM3XXX IC (Canada) 5713A-TCMXXX CE DLC |

