



M9-USR-L3

Lighting Control Module

PROUDLY MADE
IN AMERICA

Description

The M9-USR-L3 Lighting Control Module responds to a variety of wireless EnOcean devices to control and dim LED drivers, fluorescent ballasts, or other switchable loads. The M9-USR-L3 offers bi-directional, ON/OFF and 0-10V dimming control when combined with a wireless light switch or automatic shut-off when combined with a wireless occupancy sensor. Additionally, the Lighting Control Module can perform occupancy-based setback dimming and self-contained daylight harvesting functions. The M9-USR-L3 can be paired to compatible devices manually and for more sophisticated configuration.

Features

- Full range dimming for advanced daylighting control
- Zero crossing activation determined by user
- Serves as level 1 or level 2 wireless repeater
- Dawn Control (with additional sensor)
- Adjustable ramping speed/rate of dimming

Operation

The M9-USR-L3 operates on 100 to 277 VAC and includes one relay to switch up to 20A amps. Also includes 0-10V DC output for control of dimmable loads, including electronic ballasts. The M9-USR-L3 receives signals from wireless sensors, switches and software as well as BACnet to EnOcean commands using M9-EBox.

Applications

The M9-USR-L3 is ideal for single or multiple fixtures on/off or dimming control application

- Hotels & Resorts
- Private Offices
- Colleges & Universities
- Retrofits
- New Construction
- Conference Rooms
- Executive Offices
- Lighted Hallways
- Daylight Harvesting
- Classrooms

Compatible Devices

- M9-ML2 (Occ / Lux Sensor)
- M9-EOSC (Ceiling Mounted Occ Sensor)
- M9-EOSW (Wall Mounted Occ Sensor)
- M9-ESRP (Wireless Single Rocker Switch)
- M9-EDRP (Wireless Double Rocker Switch)
- M9-EBOX (BACnet IP Gateway)

M9-USR-L3

Lighting Control Module



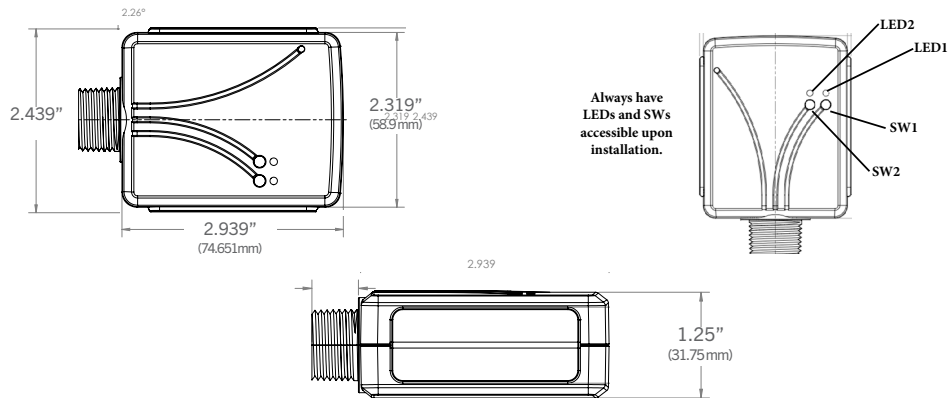
Technical Specification

| | |
|------------------------------------|--|
| Part Numbers (Frequency Dependant) | M9-USR-L3 (902 MHz - North America) M8-USR-L3 (868 MHz - Europe and China) MJ-USR-L3 (928 MHz - Japan) |
| Transmission Range | Standard: Approx. 100ft (30m)/ Long Range: Approx. 1600 ft (487m) LINE OF SIGHT |
| EnOcean Profile | D2-29-07 (Proprietary) |
| Input Voltage | 100-277 VAC |
| Max Switched Power | 3300W @ 277VAC |
| Max Switched Current | 20A |
| Relay Output | 1 N.O. (normally opened) and 1 Common contact |
| Dimmer Output | 0-10V, 30 mA (sinking drivers) 5mA (sourcing drivers) |
| Ambient Operating Temperature | 55°C for 3300 W load @ 277 VAC <i>(M9-USR-L1 & Mx-USR-L2: 37°C for 3300 W load @ 277 VAC)</i> |
| Dimensions | 2.439" x 2.939" x 1.25" (61.95mm x 74.65mm x 31.75mm) |
| Certification | ETL/Intertek - Conforms to UL 244A FCC (United States) SZV-TCM3XXX IC (Canada) 5713A-TCMXXX CE DLC |

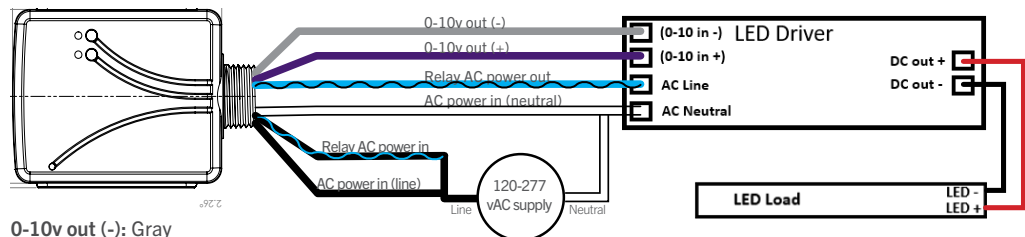


Dimensions & Controls

Dimensions & Controls



Wiring & Controls Overview



NOTE: Magnum Wireless device antenna cannot be enclosed inside a metal box. Wireless range will be greatly limited with enclosed antenna.