



Proudly Made
In America

M9-OPUS-DRD

IN FIXTURE DALI NODE (POWERED BY DRIVER OR DALI POWER SUPPLY)

OVERVIEW:

The M9-OPUS-DRD provides for bi-directional, fixture level wireless DALI (digital addressable lighting interface) lighting control integration. M9-OPUS-DRD receives incoming signals from wireless EnOcean devices and converts them into DALI commands, allowing for both occupancy based lighting control and daylight harvesting functionality. The M9-OPUS-DRD can be paired with a variety of sensors and switches for standalone operation, incorporated into a networked lighting system or integrated to BACnet utilizing the M9-EBOX gateway.

DESCRIPTION:

The M9-OPUS-DRD can be powered by any DALI power supply, Philips Xitanium SR driver or an OSRAM Dexal driver, which includes an auxiliary DALI power source. The M9-OPUS-DRD includes the ability to configure four individual channels. Each channel is fully configurable, including a full range dimming table, customizable scene control, built in dawn control, adjustable ramping speeds as well as adjustable rates of dimming.

OPTIONS IN OPERATION:

Local Control: An on board microprocessor and memory allows for standardized operation at the driver level, eliminating the reliance on software or network configuration. M9-OPUS-DRD can be utilized out of the box with default settings, manually paired to sensors and switches or configured for advanced operation through AirConfig software ([email support@magnumfirst.com for download instructions](mailto:support@magnumfirst.com)) by leveraging the Magnum wireless USB dongle (M9-USB). Advanced schedules, preferences and settings can be accomplished using simple drag and drop remote configuration in a localized fashion, even after the installation is completed.

Software Driven: The M9-OPUS-DRD can also be used with Magnum's VenergyUI software, allowing users to control lighting with their mobile devices.

Integration to BAS: The M9-OPUS-DRD has the ability to communicate through Magnum's eBox (M9-EBOX) and into an existing building automation system (BAS). The convergence of lighting and building automation allows for granular information to be communicated to the BAS for improved operational efficiency.



*Subject to change



Proudly Made
In America

M9-OPUS-DRD

IN FIXTURE DALI NODE (POWERED BY DRIVER OR DALI POWER SUPPLY)

FEATURES:

- DALI compatible
- Mounts conveniently to driver
- Energy reporting at fixture level (if driver is compatible)
- Address up to 4 individual channels
- Connection for optional motion / lux sensor
- Powered from Xitanium SR, OSRAM Dexal or DALI power supply

TECHNICAL DATA:

Part Numbers (Frequency Dependent)	M9-OPUS-DRD (902 MHz - North America) M8-OPUS-DRD (868 MHz - Europe and China) MJ-OPUS-DRD (928 MHz - Japan)
Input Voltage	16V @24mA from DALI driver or DALI power supply
Standby Power	< 1W
Operating Temperature	32° - 140°F (0° - 60°C) - Indoor use only
Input Sensors	Digital Passive Infrared Sensor 0-1020 Lux Sensor
Number of DALI Node Channels	4 Channels using standard DALI protocol
Wireless Protocol	EnOcean Wireless Protocol
EnOcean Profile	A5-38-08 Type 0x02 Dimming
Wireless Range	150 ft (50 ft-150 ft typical) / 45.72 m (15.24 m - 45.72 m)
Certifications	IEC 62386-101:2014 IEC 62386-103:2014 UL Listed DLC
Dimensions	Width: 1.30" (33.02 mm) Length: 3.09" (78.49 mm) Height: 0.89" (22.61 mm)

DIMENSIONS:



*Subject to change



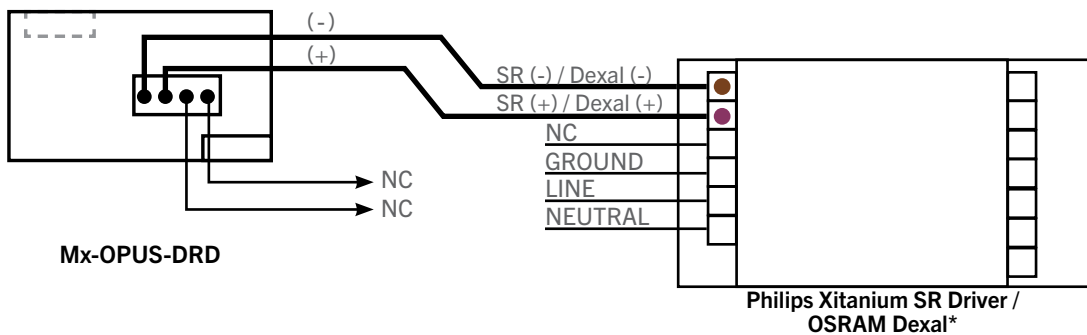
Proudly Made In America

M9-OPUS-DRD

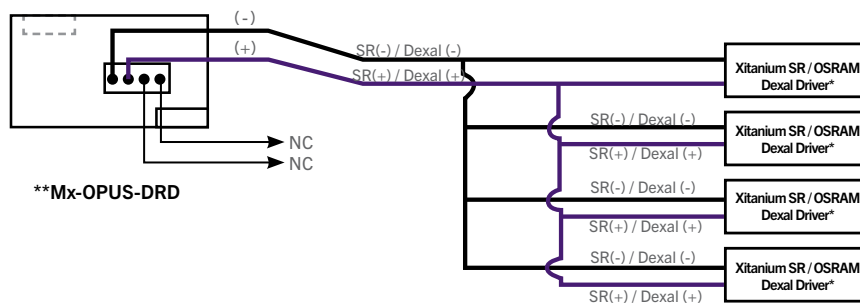
IN FIXTURE DALI NODE (POWERED BY DRIVER OR DALI POWER SUPPLY)

WIRING DIAGRAM:

*Subject to change



*When wiring the M9-OPUS-DRD to a DALI driver other than the Philips Xitanium SR or OSRAM Dexal Driver, please refer to the connections labeled on the device to find the (-) and (+) receptacles.



**Respect Xitanium SR / Dexal bus polarity when more than one Xitanium SR / Dexal supply is connected in parallel.

NOTE: Magnum Wireless device antenna cannot be enclosed inside a metal box. Wireless range will be greatly limited with enclosed antenna.



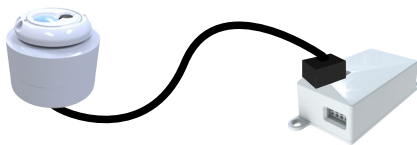
Proudly Made
In America

M9-OPUS-DRD

IN FIXTURE DALI NODE (POWERED BY DRIVER OR DALI POWER SUPPLY)

OPTIONAL WIRED MOTION COMBINED LUX SENSOR:

This product has an optional motion combined LUX sensor that is connected to the controller via a simple 3-wire connector. The separate sensor is optional and is available for both high bay sensing (up to 39 feet) and for standard, low ceiling applications (up to 15 feet).



M9-OPUS-LPML wired motion / lux sensor for
low ceiling applications of up to 15 ft (4.572 m)



M9-OPUS-HPML wired motion / lux sensor for
high bay applications of up to 39 ft (11.887 m)