



M9-UTR-L3

TWO CHANNEL LIGHTING CONTROL MODULE

Description

The M9-UTR-L3 Lighting Control Module responds to a variety of wireless EnOcean devices to control and dim LED drivers, fluorescent ballasts, or other switchable loads. The M9-UTR-L3 offers two channel, bi-directional, ON/OFF and 0-10V dimming control when combined with a wireless light switch or automatic shut-off when combined with a wireless occupancy sensor. Additionally, the Lighting Control Module can perform occupancy-based setback dimming and self-contained daylight harvesting functions. The Mx-UTR-L3 can be paired to compatible devices manually and for more sophisticated configuration, the MES software tool airConfig is available for download call or email info@magnumfirst.com to download the AirConfig software.

Operation

The M9-UTR-L3 can operate on two 100 to 277 VAC circuits and includes two relays to switch up to 20A and two 0-10VDC outputs for control of dimmable loads, including electronic ballasts. The Mx-UTR-L3 receives signals from wireless sensors, switches and software as well as BACnet to EnOcean commands using Mx-EBOX.

Applications

The M9-UTR-L3 is ideal for two circuits or multiple fixtures on/off or dimming control applications. This device is appropriate for new construction as well as retrofit, including commercial offices, conference rooms, class rooms, hotels, residence halls, common areas and more.

Features

- Independently controls 2 separate lighting circuits or fixtures
- Full range dimming for advanced daylighting control
- Zero crossing activation by user
- Serves as level 1 or level 2 repeater
- Dawn Control (with additional sensor)
- Adjustable ramping speed/rate of dimming
- Advanced options configured using MES provided airConfig software tool call or email info@magnumfirst.com to download the AirConfig software.

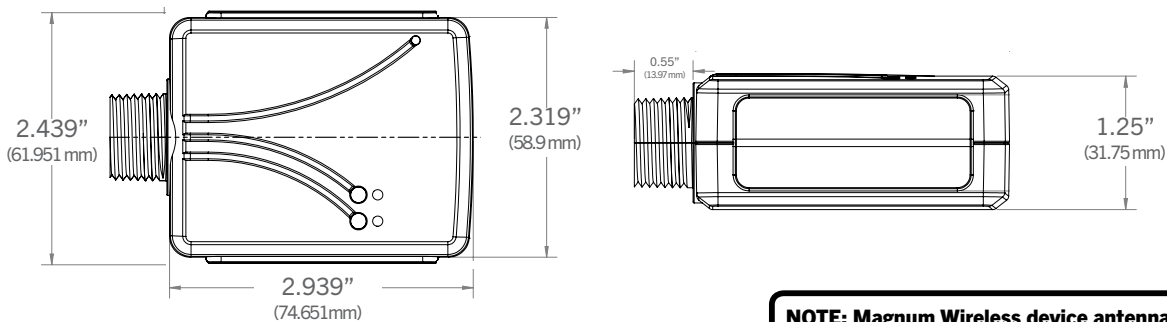
M9-UTR-L3

TWO CHANNEL LIGHTING CONTROL MODULE

Part Numbers (Frequency Dependant)	M9-UTR-L3 (902 MHz - North America) M8-UTR-L3 (868 MHz - Europe and China) MJ-UTR-L3 (928 MHz - Japan)
Range	150 feet (50-150 typical)
EnOcean Profile	D2-29-07 (Proprietary)
Input Voltage	100/277 VAC
Max Switched Power	3300 W @ 277 VAC
Max Switched Current	20A
Max Switched Voltage	100/277 VAC
Relay Output	2 N.O. and 2 Common contact
Dimmer Output	(2x) 0-10V, 30 mA (sinking drivers)
Ambient Operating Temperature	0-55°C for 3300 W load @ 277 VAC <i>(Mx-UTR-L1 & Mx-UTR-L2: 37°C for 3300 W load @ 277 VAC)</i>
Dimensions	2.439" x 2.939" x 1.25" (61.95mm x 74.65mm x 31.75mm)
Certifications	ETL/Intertek - Conforms to UL 244A FCC (United States) SZV-TCM3XXX IC (Canada) 5713A-TCMXXX DLC

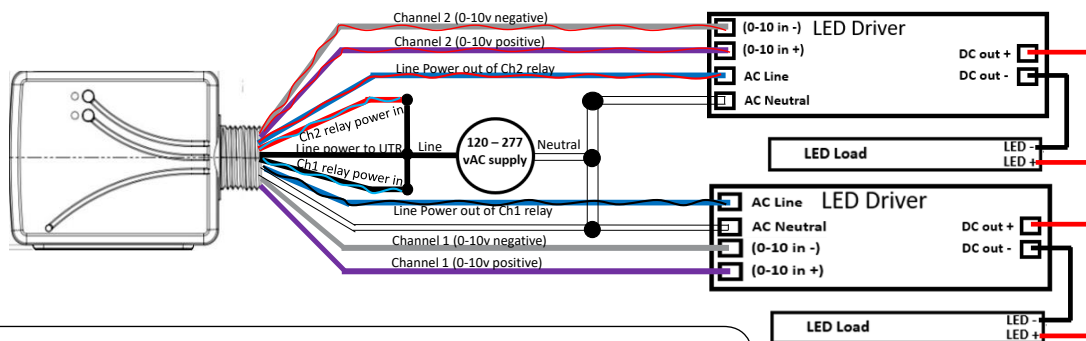


Dimensions



NOTE: Magnum Wireless device antenna cannot be enclosed inside a metal box. Wireless range will be greatly limited with enclosed antenna.

Wiring Diagram



- Channel 2 (0-10V Negative) - Grey with red stripe
- Channel 2 (0-10V Positive) - Violet with red stripe
- Line Power out of Ch2 Relay - Blue with red stripe
- Ch2 Relay Power In - Red with blue stripe
- Line Power to UTR - Black
- Ch1 Relay Power In - Black with blue stripe
- Line Power out of Ch1 Relay - Blue with black stripe
- AC Power Neutral - White
- Channel 1 (0-10V Negative) - Grey
- Channel 1 (0-10V Positive) - Violet