



# M9-USR-LM

## 0-10V Lighting Control Module with Metering and Temperature



PROUDLY MADE  
IN AMERICA

### Description

The M9-USR-LM Lighting Control Module responds to a variety of wireless EnOcean devices to control and dim LED drivers, fluorescent ballasts, or other switchable loads. The M9-USR-LM offers bi-directional, ON/OFF and 0-10V dimming control, temperature and real time power monitoring. When combined with a wireless light switch or automatic shut-off when combined with a wireless occupancy sensor. Additionally, the Lighting Control Module can perform occupancy-based setback dimming and self-contained daylight harvesting functions. Internal CT's allow real-time revenue-grade power consumption. The M9-USR-LM can be paired to compatible devices manually and for more sophisticated configuration. For manual pairing instructions, please refer to the M9-USR-LM Installation Guide.

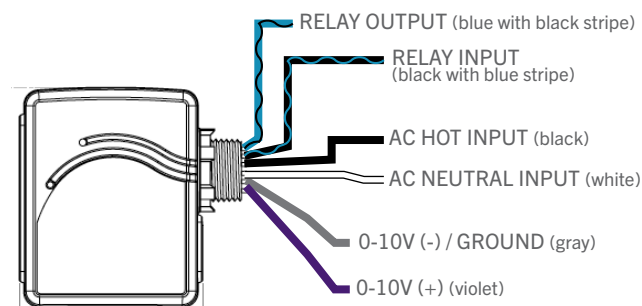
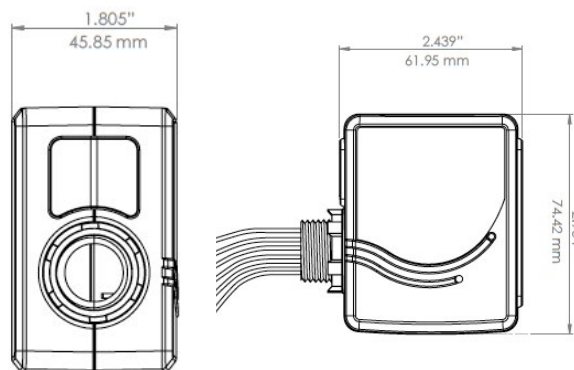
### Operation

The M9-USR-LM operates on 100 to 277 VAC and includes one relay. It also includes 0-10V DC output for control of dimmable loads, including electronic ballasts. The M9-USR-LM receives signals from wireless sensors, switches and software as well as BACnet to EnOcean commands using M9-EBox.

### Applications

The M9-USR-LM is ideal for single or multiple fixtures on/off or dimming control applications.

- Hotels & Resorts
- Colleges & Universities
- New Construction
- Executive Offices
- Daylight Harvesting
- Private Offices
- Retrofits
- Conference Rooms
- Lighted Hallways
- Classrooms





# M9-USR-LM

## 0-10V Lighting Control Module with Metering and Temperature

Part Numbers (Frequency Dependant)	M9-USR-LM (902 MHz - North America) M8-USR-LM (868 MHz - Europe and China) MJ-USR-LM (928 MHz - Japan)
Transmission Range	Standard: Approx. 100ft (30m)/ Long Range: Approx. 1600 ft (487m) LINE OF SIGHT
EnOcean Profile	Magnum Proprietary Profile, A5-38-08 type 0x02 Dimming
Input Voltage	100-277 VAC
Minimum Switched Voltage	100 V @ 10 A
Maximum Switched Voltage	277 V @ 10 A
Max Switched Power	3300W @ 277VAC
Temperature Range	32°F - 95°F (0° C - 35°C)
Relay Output	1 N.O. (normally opened) and 1 Common contact
Dimmer Output	0-10V, 30 mA (sinking drivers) 5mA (sourcing drivers)
Ambient Operating Temperature	0-35°C for 3300 W load @ 277 VAC (preliminary)
Accuracy (Metering)	0.5% (preliminary)
Dimensions	2.439" x 2.934" x 1.805" (61.95 mm x 74.42 mm x 45.85 mm)
Certification	FCC (United States) SZV-TCM3XXX IC (Canada) 5713A-TCMXXX CE DLC

