



Proudly Made
In America

M9-OPUS-DRD

IN FIXTURE DALI NODE (POWERED BY DRIVER OR DALI POWER SUPPLY)

OVERVIEW:

The Mx-OPUS-DRD provides for bi-directional, fixture level wireless DALI (digital addressable lighting interface) lighting control integration. Mx-OPUS-DRD receives incoming signals from wireless EnOcean devices and converts them into DALI commands, allowing for both occupancy based lighting control and daylight harvesting functionality. The Mx-OPUS-DRD can be paired with a variety of sensors and switches for standalone operation, incorporated into a networked lighting system or integrated to BACnet utilizing the Mx-EBOX gateway.

DESCRIPTION:

The Mx-OPUS-DRD can be powered by any DALI power supply, Philips Xitanium SR driver or an OSRAM Dexal driver, which includes an auxiliary DALI power source. The Mx-OPUS-DRD includes the ability to configure four individual channels. Each channel is fully configurable, including a full range dimming table, customizable scene control, built in dawn control, adjustable ramping speeds as well as adjustable rates of dimming.

OPTIONS IN OPERATION:

Local Control: An on board microprocessor and memory allows for standardized operation at the driver level, eliminating the reliance on software or network configuration. Mx-OPUS-DRD can be utilized out of the box with default settings, manually paired to sensors and switches or configured for advanced operation through AirConfig software (download.magnum-innovations.net) by leveraging the Magnum wireless USB dongle (Mx-USB). Advanced schedules, preferences and settings can be accomplished using simple drag and drop remote configuration in a localized fashion, even after the installation is completed.

Software Driven: The Mx-OPUS-DRD can also be used with Magnum's VenergyUI software, allowing users to control lighting with their mobile devices.

Integration to BAS: The Mx-OPUS-DRD has the ability to communicate through Magnum's eBox (Mx-EBOX) and into an existing building automation system (BAS). The convergence of lighting and building automation allows for granular information to be communicated to the BAS for improved operational efficiency.





Proudly Made
In America

M9-OPUS-DRD

IN FIXTURE DALI NODE (POWERED BY DRIVER OR DALI POWER SUPPLY)

FEATURES:

- DALI compatible
- Mounts conveniently to driver
- Energy reporting at fixture level (if driver is compatible)
- Address up to 4 individual channels
- Connection for optional motion / lux sensor
- Powered from Xitanium SR, OSRAM Dexal or DALI power supply

TECHNICAL DATA:

Part Numbers (Frequency Dependent)	M9-OPUS-DRD (902 MHz - North America) M8-OPUS-DRD (868 MHz - Europe and China) MJ-OPUS-DRD (928 MHz - Japan)
Input Voltage	16V @24mA from DALI driver or DALI power supply
Standby Power	< 1W
Operating Temperature	32° - 140°F (0° - 60°C) - Indoor use only
Input Sensors	Digital Passive Infrared Sensor 0-1020 Lux Sensor
Number of DALI Node Channels	4 Channels using standard DALI protocol
Wireless Protocol	EnOcean Wireless Protocol
EnOcean Profile	A5-38-08 Type 0x02 Dimming
Wireless Range	150 ft (50 ft-150 ft typical) / 45.72 m (15.24 m - 45.72 m)
Certifications	IEC 62386-101:2014 IEC 62386-103:2014 UL Listed DLC
Dimensions	Width: 1.30" (33.02 mm) Length: 3.09" (78.49 mm) Height: 0.89" (22.61 mm)

DIMENSIONS:



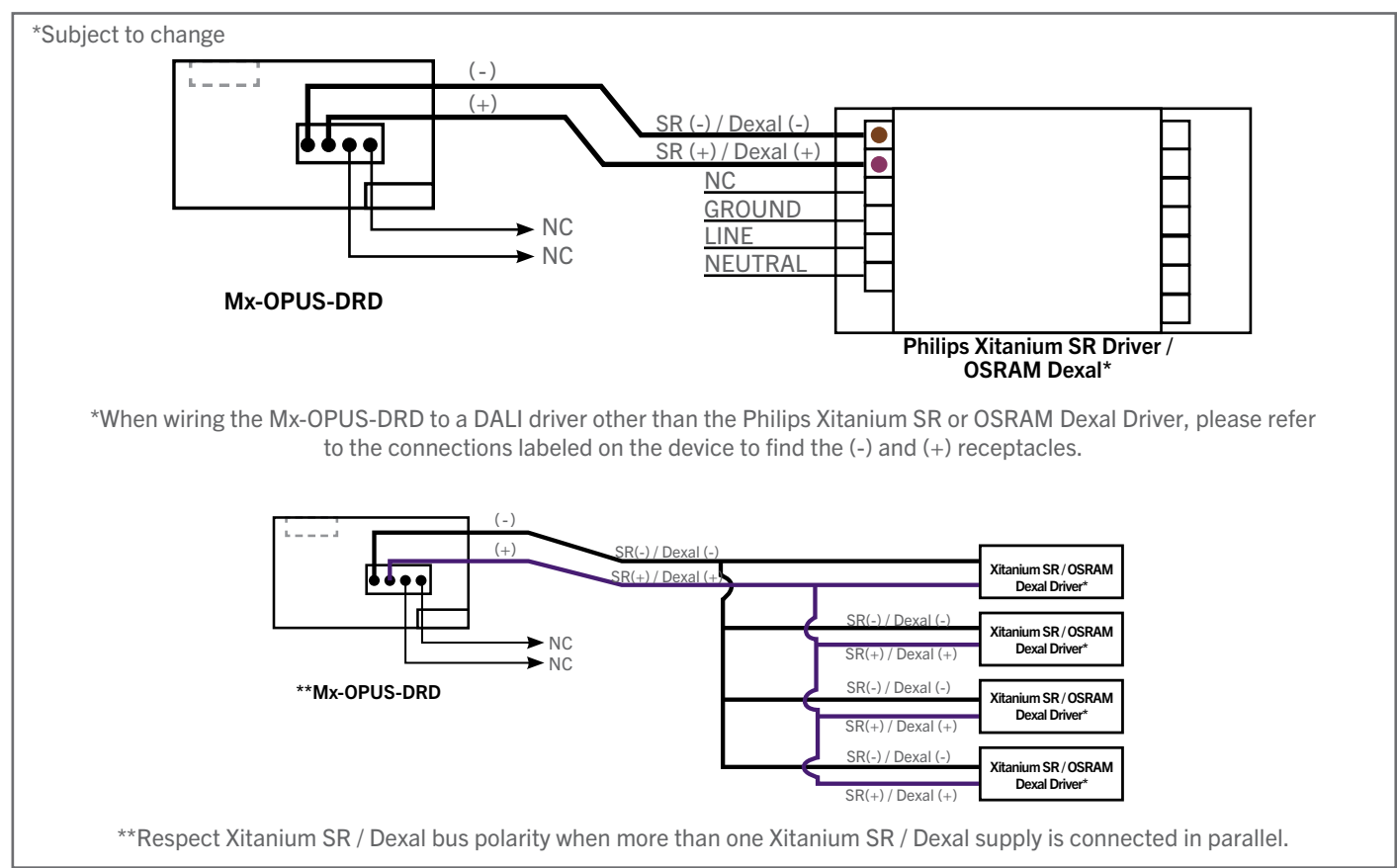


Proudly Made In America

M9-OPUS-DRD

IN FIXTURE DALI NODE (POWERED BY DRIVER OR DALI POWER SUPPLY)

WIRING DIAGRAM:



NOTE: Magnum Wireless device antenna cannot be enclosed inside a metal box. Wireless range will be greatly limited with enclosed antenna.



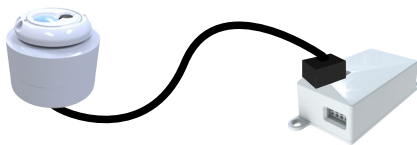
Proudly Made
In America

M9-OPUS-DRD

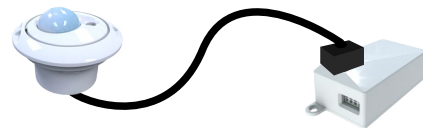
IN FIXTURE DALI NODE (POWERED BY DRIVER OR DALI POWER SUPPLY)

OPTIONAL WIRED MOTION COMBINED LUX SENSOR:

This product has an optional motion combined LUX sensor that is connected to the controller via a simple 3-wire connector. The separate sensor is optional and is available for both high bay sensing (up to 39 feet) and for standard, low ceiling applications (up to 15 feet).



Mx-OPUS-LPML wired motion / lux sensor for low ceiling applications of up to 15 ft (4.572 m)



Mx-OPUS-HPML wired motion / lux sensor for high bay applications of up to 39 ft (11.887 m)