



MAGNUM
OPUS



PROUDLY MADE
IN AMERICA



M9-USR-LM

0-10V LIGHTING CONTROL MODULE WITH METERING AND TEMPERATURE

Description

The Mx-USR-LM Lighting Control Module responds to a variety of wireless EnOcean devices to control and dim LED drivers, fluorescent ballasts, or other switchable loads. The Mx-USR-LM offers bi-directional, ON/OFF and 0-10V dimming control when combined with a wireless light switch or automatic shut-off when combined with a wireless occupancy sensor. Additionally, the Lighting Control Module can perform occupancy-based setback dimming and self-contained daylight harvesting functions. The Mx-USR-LM can be paired to compatible devices manually and for more sophisticated configuration, the MES software tool airConfig is available for download at https://www.dropbox.com/s/mor2z812401nhti/airConfig_Setup.exe?dl=0. For manual pairing instructions, please refer to the Mx-USR-LM Installation Guide.

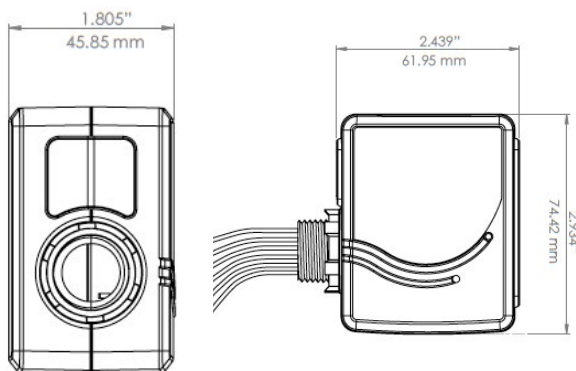
Operation

The Mx-USR-LM operates on 100 to 277 VAC and includes one relay. It also includes 0-10V DC output for control of dimmable loads, including electronic ballasts. The Mx-USR-LM receives signals from wireless sensors, switches and software as well as BACnet to EnOcean commands using Mx-EBOX.

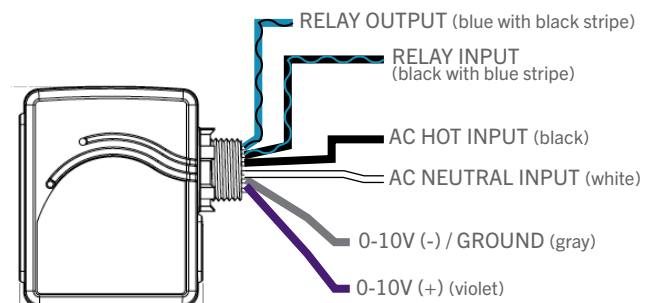
Applications

The Mx-USR-LM is ideal for single or multiple fixtures on/off or dimming control applications. This device is appropriate for new construction as well as retrofit, including commercial offices, conference rooms, class rooms, hotels, residence halls, common areas and more.

Dimensions



Wiring Diagram





MAGNUM
OPUS



PROUDLY MADE
IN AMERICA

M9-USR-LM

0-10V LIGHTING CONTROL MODULE WITH METERING AND TEMPERATURE

Part Numbers (Frequency Dependant)	M9-USR-LM (902 MHz - North America) M8-USR-LM (868 MHz - Europe and China) MJ-USR-LM (928 MHz - Japan)
Range	150 feet (50-150 typical) / 45.72 m (15.24 m - 45.72 m)
EnOcean Profile	Magnum Proprietary Profile, A5-38-08 Type 0x02 Dimming
Input Voltage	100-277 VAC
Minimum Switched Voltage	100 V @ 10 A
Maximum Switched Voltage	277 V @ 10 A
Max Switched Power	3300W @ 277VAC
Temperature Range	32°F - 95°F (0° C - 35°C)
Relay Output	1 N.O. (normally opened) and 1 Common contact
Dimmer Output	0-10V, 30 mA (sinking drivers) 5mA (sourcing drivers)
Ambient Operating Temperature	0-35°C for 3300 W load @ 277 VAC (preliminary)
Accuracy (Metering)	0.5% (preliminary)
Dimensions	2.439" x 2.934" x 1.805" (61.95 mm x 74.42 mm x 45.85 mm)
Certifications	FCC (United States) SZV-TCM3XXX IC (Canada) 5713A-TCMXXX CE DLC

