



# M9-USR-L3PWM

## PWM LIGHTING CONTROL MODULE

**NOTE: Magnum Wireless device antenna cannot be enclosed inside a metal box. Wireless range will be greatly limited with enclosed antenna.**

### Description

The Mx-USR-L3PWM Lighting Control Module responds to a variety of wireless EnOcean devices to control and dim LED drivers, fluorescent ballasts, or other switchable loads. The Mx-USR-L3PWM offers bi-directional, ON/OFF and PWM dimming control when combined with a wireless light switch or automatic shut-off when combined with a wireless occupancy sensor. Additionally, the Lighting Control Module can perform occupancy-based setback dimming and self-contained daylight harvesting functions. The Mx-USR-L3PWM can be paired to compatible devices manually and for more sophisticated configuration, the MES software tool airConfig is available for download at [download.magnum-innovations.net](http://download.magnum-innovations.net).

### Operation

The Mx-USR-L3 operates on 100 to 277 VAC and includes one relay to switch up to 20A and one PWM output for control of dimmable loads, including electronic ballasts. The Mx-USR-L3PWM receives signals from wireless sensors, switches and software as well as BACnet to EnOcean commands using Mx-eBox.

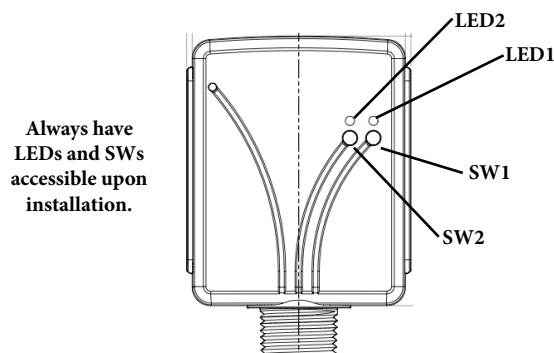
### Features

- Full range dimming for advanced daylighting control
- Zero crossing activation determined by user
- Serves as level 1 or level 2 wireless repeater
- Built in Dawn Control
- Adjustable ramping speed / rate of dimming
- Advanced options configured using MES provided airConfig software tool ([download.magnum-innovations.net](http://download.magnum-innovations.net))

### Applications

The Mx-USR-L3PWM is ideal for single or multiple fixtures on/off or dimming control applications. This device is appropriate for new construction as well as retrofit, including commercial offices, conference rooms, class rooms, hotels, residence halls, common areas and more.

### Controls Overview





# M9-USR-L3PWM

## PWM LIGHTING CONTROL MODULE

Part Numbers (Frequency Dependant)	M9-USR-L3PWM (902 MHz - North America) M8-USR-L3PWM (868 MHz - Europe and China) MJ-USR-L3PWM (928 MHz - Japan)
Range	150 feet (50-150 typical) / 45.72 m (15.24 m - 45.72 m)
EnOcean Profile	A5-38-08 Type 0x02 Dimming
Input Voltage	100-277 VAC
Max Switched Power	3300W @ 277VAC
Max Switched Current	20A
Max Switched Voltage	100/277 VAC
Relay Output	1 N.O. (normally opened) and 1 Common contact
Dimmer Output	PWM Voltage: 11V ± 2V Frequency Range: 2 KHz ± 100Hz Duty Cycle: 1% - 99%
Ambient Operating Temperature	37°C for 3300 W load @ 277 VAC
Dimensions	2.439" x 2.939" x 1.25" (61.95mm x 74.65mm x 31.75mm)
Certifications	ETL/Intertek - Conforms to UL 244A FCC (United States) SZV-TCM3XXX IC (Canada) 5713A-TCMXXX CE



### Dimensions

