



ASSEMBLED
IN AMERICA



M9-ALCR

AUTOMATIC LOAD CONTROL RELAY

DESCRIPTION

The Magnum MX-ALCR is a UL 924 listed emergency lighting control device. This device is designed to ensure a “lights on state” during a power outage. The MX-ALCR senses when a power outage occurs and switches on the connected emergency lighting load to full brightness, bypassing any normal lighting switches and dimmer controls.

ELECTRICAL SPECIFICATIONS

- Rated for indoor use only
- UL, cUL listed (Emergency Lighting and Power UL 924)
- Line voltages of 120 and 277 VAC, 60Hz
- Load rating of 10A max at 277 VAC

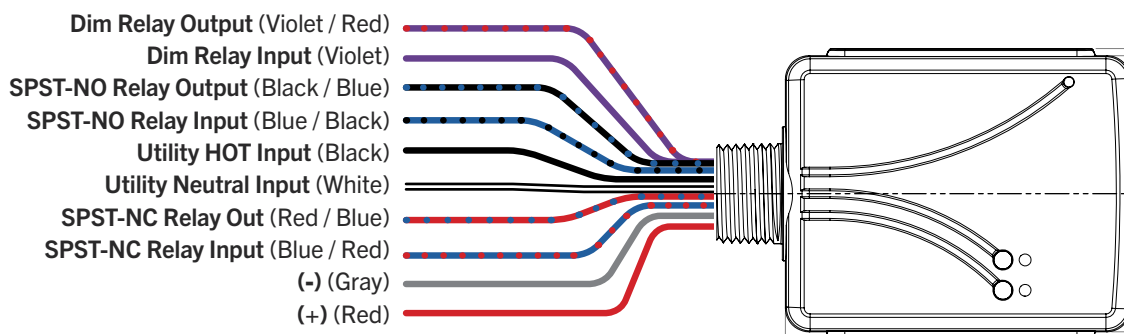
FEATURES & BENEFITS

- Isolated Dimming override ensures full brightness during utility power interruption
- DALI and 0 to 10V compatibility
- Auxiliary 12VDC output
- Nipple mountable for use with a junction box
- Normal control of emergency lighting

OPERATION

- During normal operation, the same dimmer, occupancy sensor, dimming panel, or lighting control can switch and dim normal and emergency fixtures on and off simultaneously.
- During a utility power interruption, the Mx-ALCR automatically bypasses the normal lighting controls, turning the emergency lights ON at full brightness, regardless of dimmer position.

WIRING OVERVIEW

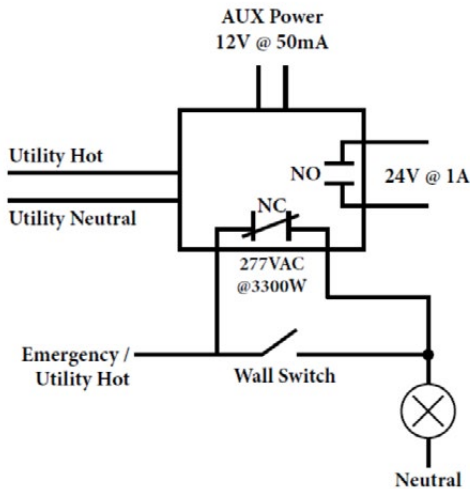


M9-ALCR

AUTOMATIC LOAD CONTROL RELAY

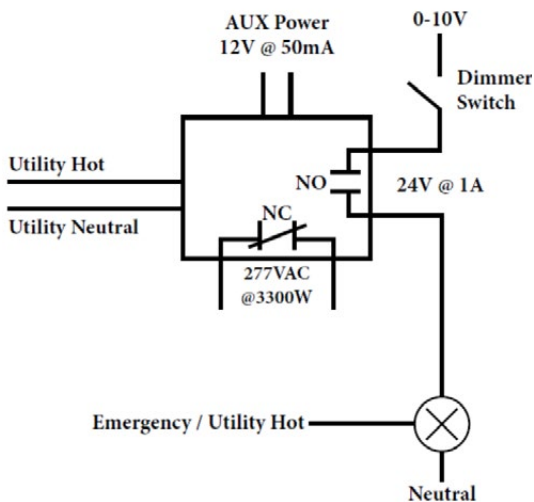


OPERATIONAL OVERVIEW



Normal/emergency lights are fed via a normal/emergency breaker panel and a wall switch, wall box dimmer, or other wall-box-mounted control device. When normal power fails, an upstream UL 1008 emergency transfer switch automatically transfers the feeder of the breaker panel to an emergency power source. At the same time, our 'ALCR' senses the loss of normal power and bypasses the switch or dimmer, forcing the load on, no matter what the position of the switch or dimmer.

Dimmer Switch



This is the same case as above, however, only a low voltage dimmer switch is controlling the fixture. When our 'ALCR' senses the loss of normal power, the 24V relay opens and breaks the circuit, forcing the light fixture to go to a full on state.

DIMENSIONS

