

Split Receptacle Controller

INSTALLATION GUIDE



Overview

This guide covers models numbers RECP (white) and RECP (black), both equipped with 902 MHz radios.

The RECP controller is intended for indoor use only.

The split receptacle controller uses wireless technology to monitor any rooms environment, eliminating much of the wiring normally required for distributed control. This translates into quick installations with less disruption to occupants, allowing facilities to accelerate retrofit schedules and start saving money sooner.

The controller has patented Smart Click and Simple Tap technology which allows installers and facility operators to manage configuration settings without any special tools, reducing call-backs and installation expense.

The ERNR is a split receptacle controller. The lower outlet on the duplex receptacle is controlled by a relay referred to throughout this guide as the controller. A red wire is also connected to the control relay. This output is used to connect and control other receptacles down circuit from the ERNR.

Controller Operation

The controller can activate electrical loads plugged into the controlled outlet with received input from a linked sensor or switch.

As a controller, it operates the controlled outlet based on:

- ambient light levels monitored by an wireless photo sensor
- occupancy state monitored by a wireless occupancy sensor
- switch action from a wireless single or dual paddle rocker switch
- switch action from a wireless key card switch
- switch action from a wireless door/window switch
- gateway control implementing schedules or other events

Controller and Wall Switches

The controller works with wireless single and dual rocker switches. A switch ON action activates the relay closed (lights on). A press OFF action will open the relay (lights off).

Controller and Timed Switches

The controller can be configured so the single and dual rocker switches become timed switches. An ON action closes the relay and a timer is set to count down. Once the timer expires, the relay opens.

The time period is configurable and has 5 settings: no timer (default), 5 minutes, 15 minutes, 30 minutes and 1 hour. Additionally, if the user presses the wall switch ON multiple times (to a total of 5 presses), the timer interval is added for each ON press. If ON is pressed while the lights are on and the timer is counting down, an additional period of time is added to the timer total.

For example: *if the timer setting is 1 hour and the user presses the switch ON twice, the total timer period is 2 hours. If there is 30 minutes left on the timer and ON is pressed again, the timer is extended to 1 hour 30 minutes before the lights will turn off.*

The controller will toggle the relay (flick-warn) 1 minute before the timer is due to expire to warn users of the pending OFF event.

To configure the time period, refer to the section on "Configuring the Controller".

Controller and Key Card Switches

The key card switch is common in hospitality applications for indicating when the room is occupied by a guest. The key card used to unlock the door is inserted into the switch, the controller will enable lighting or other electrical appliance circuits. When the guest leaves and the card is removed from the switch, an egress timer will expire and the relay will open, deactivating the circuits. The egress timer default is a 30 second timer. This value can be changed using the Garibaldi configuration software.

When used for this hospitality application, it is not advised having other devices linked permanently (other than a wall switch) to the controller as this may result in unintended results.

When multiple key cards are used with one controller and any switch is active with a card inserted then the controller relay will remain closed. All linked switches must be inactive before the controller opens the relay.

When linking a key card to the controller, activate the switch three times in succession with the controller in LEARN mode.

Controller and Window Switch

The Magnum switch is a proximity (reed) switch and when linked with the controller, can open or close the relay. The relay will close when the switch is closed, opening the relay when the switch is opened after a timer expires.

NOTE: Using the switch in this application, link the switch to the controller with the magnet apart from the switch.

This is useful for temperature control applications where the temperature equipment is disabled when a window is left open. For lighting applications that require a light to turn on when a door is opened (closet or storage room), the relay action can be inverted. The relay inversion and timer value are configurable via Simple Tap, see the section titled “Configuring the Controller”.

Occupancy Based Lighting Applications

The controller will open the relay when there is no motion detected in the room indicated by a linked wireless motion sensor.

Occupancy sensors only: When only occupancy sensors are linked to the controller, the sensor will automate the circuit both ON and OFF.

Occupancy sensors with switches: When switches and sensors are linked, the controller will assume manual-ON, auto-OFF operation referred to as Vacancy Sensor Mode.

The controller can also be configured to close the relay immediately (Auto-ON) with motion, see the section titled “Configuring the Controller”.

Photo Inhibit: This feature requires a linked photo sensor and is intended for lighting applications only. When photo inhibit is enabled, the Auto-ON feature will be ignored when the natural light level measured by the light sensor is above the daylight set point. The photo inhibit feature will not turn lights OFF if the lights are ON.

Photo Inhibit Examples:

- Light level is < day-lighting set point – The light does turn ON automatically when you enter the room.
- Light level is > day-lighting set point – The light does not turn ON automatically when you enter the room.
- Lights are ON and the light level increases past day-lighting set point – The light stays ON.
- Lights are OFF and the light level decreases past day-lighting set point – The light will turn ON upon the next motion detected by the occupancy sensor.

Room Occupancy State Latch: The MC proximity switch can be used on an entry door to trigger a door open-close event. Used together with a linked wireless motion sensor, the door event triggers a latch of the room occupancy. The controller will latch the room occupancy state with receipt of two motion sensor telegrams (4 to 5 minutes after the entry door open/ close event).

After the room has been latched as occupied, only another door event can clear the latched state. If the room is latched vacant and an occupied telegram is received from the sensor, the room state will latch occupied.

This is an alternate solution to the key card application for dormitory or hospitality projects for defining room occupancy state.

NOTE: To learn the door switch as an entry door occupancy trigger, link the switch to the controller with the magnet in place next to the switch.

Daylight Harvesting Lighting Application

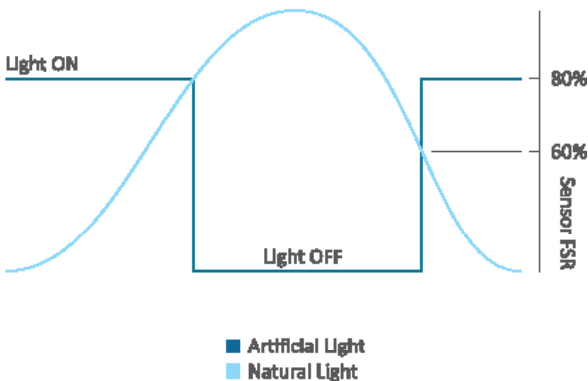
The controller will turn the plug load light ON or OFF based on a set point and the ambient light level in the room. A wireless photo sensor monitors light levels and must be linked to the controller to provide the light level in the room.

When the controller is configured for daylight harvesting, the set point is where the light turns ON. The light OFF set point is 20% of the sensor Full Scale Range (FSR) greater than the light ON set point.

NOTE: The TAP light sensor is designed to be mounted indoors to monitor reflected (not direct) natural light levels

Open Loop Daylight Control example: A project requirement item details that the open area office lights shall turn off when sufficient natural light is present. Mount the wireless light sensor so it is facing downwards and monitoring reflected natural light. The TAP light sensor has two ranges; 0-500 lux (0-50 foot-candles) and 0-1024 lux (0-100 foot-candles). The daylight control set point default value is 60% of the sensors full range. If the sensors range is set to 500 lux (50 FC), the controller will turn the light on when the sensor records 300 lux (30 FC) and will shut the light off at 80% or 400F lux (40 FC), see below.

Setting the set point is covered later in this document under “Configuring the Controller”.



The daylight harvesting application will override the Auto-ON feature of occupancy sensors if the light level is sufficient and calls for the lights to be off. The daylight harvesting application can be overridden by a manual wall switch when the light is off by clicking on. If the light level remains above the Light-OFF set point, the controller will turn the light off again after 250 seconds. The daylight harvesting application does not affect the operation of the rocker switch or motion sensor when the light is on. If the light is on, either the switch or motion sensor can override the light off.

See the section on Occupancy Based Lighting Application - Photo Inhibit for alternative functionality.

Radio Range Confirmation

The controller includes patent pending technology that interfaces with specific sensors to indicate the radio strength of the sensor received at the controller.

To evaluate the radio signal strength, the sensor must also support the test and be linked to the controller. Do not have any repeaters in the controllers vicinity enabled during the test.

Sensors supporting the radio range confirmation test include:

- Occupancy sensors RVS, RCS, OWS, ROS and MOS models
- Photo sensors - all TAP models
- Window/Door switches - all MC models

The range confirmation test is invoked at the sensor and sends unique telegrams to the controller. The controller will evaluate the signal strength from the sensor and send back a unique telegram containing the strongest signal value received. This value is displayed at the sensor using color LEDs.

Consult the sensor installation guide for more details.

Important Safety Instructions



WARNING:

ELECTRICAL SHOCK HAZARD - THE CONTROLLER USES HIGH VOLTAGE AND SHOULD ONLY BE INSTALLED BY A QUALIFIED INSTALLER OR ELECTRICIAN. FOLLOW ALL APPLICABLE ELECTRICAL CODES IN THE COUNTRY OF INSTALLATION.

FOR INDOOR USE ONLY.

Preparing to Install the Controller

The controller is mounted inside an electrical junction box. The controller must be mounted at the junction box either directly at the electrical load or before the load in the circuit. The controller is for indoor use only. You will require hand tools to gain access to the junction box and remove any cover plates or other hardware.

NOTE: If the circuit will have an additional hard wired switch, wire the controller in series before the switch.

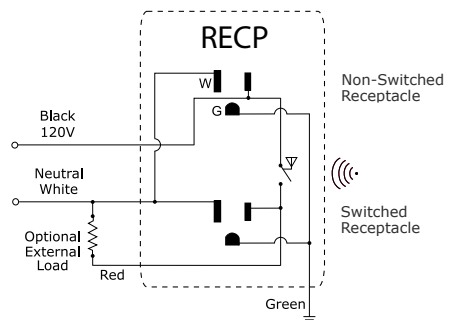
Installing the Controller

Review these instructions completely before installing the controller. Consult your local electrical code requirements.

The controller is designed to fit within standard 2" deep electrical boxes.

1. Locate the circuit breaker panel and turn off power to the circuit.
2. Remove all face plates and other hardware from the junction box so you can access the high voltage wires.
3. Verify that the controller will fit inside the electrical box and meets the electrical code requirements for consuming internal space volume of the electrical box.
4. Refer to the wiring diagram to connect the controller to line power, neutral, earth ground and external load (optional) wires. Use wire nuts on all connections and cap any bare wires.

TIP: To link the first switch; triple click a wireless wall switch 3 times ON, followed by triple click OFF, then again triple click ON, all within 5 seconds. Use this switch to verify the controller relay is turning the load on and off.



5. Push the controller inside the box and tighten the 2 mounting screws to the box.
6. Restore power to the circuit.
7. Refer to the section in this guide titled LEARN Button to assign a switch to the controller. Alternatively, refer to the Smart Click instructions for assigning switches remotely.
8. Install a decorator style faceplate (not supplied).

Wiring Instructions

Power to the controller is connected between the White (Neutral) and the Black (120V) Line power. Use only approved wire. Cap off all unused wires.

Wire Specification Table

Connection	Color	Specification
External Load	Red	14AWG, 600V
Neutral	White	14AWG, 600V
Line 120-277VAC	Black	14AWG, 600V
Earth Ground	Green	14AWG, 600V

Diagnostic LED's and buttons

The LEARN and CLEAR buttons are only accessible when the controller does not have a receptacle faceplate installed.

LEARN button

The LEARN button is used to link switches or sensors to the controller.

1. Press the button marked LEARN for 1/2 second. In link mode the POWER LED will stay ON and the LEARN LED will toggle every 2 seconds.
2. Using the switch that will be linked to the controller, press the rocker switch ON three times. If linking a sensor, press the sensors TEACH button. The LEARN LED will remain lit for 4 seconds while it links the new device. It will resume toggling allowing you to link another device up to a total of 30 devices.

NOTE: Linking a switch or sensor that is already linked to a controller, will remove or unlink it from the controller.

3. To exit link mode, press the LEARN button on the controller again for 1/2 second. Link mode will also time out after no activity in 30 seconds.

CLEAR button

The CLEAR button erases all devices linked to the controller and resets the controller to factory default settings.

Press the CLEAR button (approximately 5 seconds) until the green LEARN blinks on.

LED Blink Codes and operation

The LED's will by default indicate linked devices and controller status. The LED's can be turned off.

LED Indication - enabling or disabling the LED activity

1. Remove the receptacle face plate.
2. Press and hold the LEARN and CLEAR buttons together for approximately 4 seconds. The LEDs will turn ON or OFF, whether you're enabling or disabling the activity.

Normal Operation

The table below describes the LED activity & associated mode of the controller.

Description	Learn LED	Power LED
Factory Default	OFF	ON Solid
Linked switch(es)	OFF	1 long blink followed by short blinks counting switches repeatedly
Linked occupancy sensor(s)	OFF	2 long blinks followed by short blinks counting sensors repeatedly
Linked photo sensor(s)	OFF	3 long blinks followed by short blinks counting sensors repeatedly
With Central Command	OFF	4 long blinks followed by short blinks counting sensors repeatedly
Linked Keycard Switch	OFF	5 long blinks followed by short blinks counting switches repeatedly
Linked Door Switch	OFF	6 long blinks followed by short blinks counting switches repeatedly
Linked Entry Door Trigger	OFF	7 long blinks followed by short blinks counting switches repeatedly

Description	Learn LED	Power LED	Relay
LINK mode	ON	Toggle 2 sec.	Toggle
Storing ID	ON	ON 4 sec.	ON 4 seconds
Clearing ID	ON	OFF 4 sec.	OFF 4 seconds
CLEAR mode	ON 1 Sec	N/A	ON 1 second

Configuring the Controller

There are a few methods of configuring parameters in the controller. Simple Tap is a quick method of changing a parameters setting, one at a time. For accessing the complete set of configuration parameters, use the Smart Click process on the following pages.

There are three methods of configuring parameters in the controller.

1. Simple Tap
2. Smart Click
3. Garibaldi Commissioning Software (not covered in this guide)

Simple Tap Instructions

Simple Tap uses the switches and sensors that are linked to the controller to set the associated configuration parameters. You must be able to access the sensors teach button or the switches to perform the simple tap process. If the sensor is linked to multiple controllers and you do not want to make changes to all, turn the controllers relay off (lights off) to ignore the Simple Tap changes.

Simple Tap allows you to:

- Enable or disable the motion sensor Auto-ON feature
- Adjust the motion sensor Auto-OFF timer
- Set the Light ON/OFF set points for open loop
- Select Daylight Harvesting or Photo Inhibit mode
- Invert the relay state response to the window switch
- Adjust the window switch timer

Disable/Enable the Auto-ON feature

1. Turn the controller on.
2. Tap the occupancy sensors teach button followed by three quick consecutive clicks of a linked rocker switch ON.
3. To enable Auto-ON, click once more ON, to disable click OFF. The light will blink once to confirm the change.

Adjust the Motion Sensor Auto-OFF Timer

1. Turn the relay ON.
2. Tap the occupancy sensors TEACH button to reset the timer period. There are 6 possible settings and the number of taps on the button counts the number according to the time period, see the table below. Level 1 (time out 0 seconds - demo mode) is set by tapping 3 times, consecutive taps up to a maximum of 8 taps is Level 6 (time out 25 minutes). The relay/light will blink once on the third tap and then begin counting the level set after 3 seconds.

Taps	Occ. Sensor Timer	Light Blinks
3 taps*	0 Sec.	1 blink
4 taps	5 min.	2 blinks
5 taps	10 min.	3 blinks
6 taps	15 min. - Default	4 blinks
7 taps	20 min.	5 blinks
8 taps	25 min.	6 blinks

* for demonstration purposes only

- Once the relay has completed responding by counting the level set, press the TEACH button on the sensor once more to confirm and exit Simple Tap.

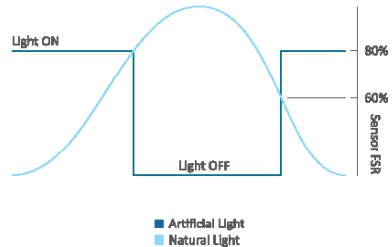
Set the Lighting Set Point: Day- lighting Application

The controller will turn the relay on and off based on the measured light level from the light sensor. The daylight harvesting set point is used to adjust how the relay responds to the relative light levels.

The daylight harvesting set point can be set to an absolute value useful in open-loop sensor applications. The set point value becomes the Light-ON set point, see the table below.

- With the light on, tap the light sensors teach button 4 times to set the set point to 20%.
- Tap the button additional presses incrementing the set point value by 20%. Five (5) taps would equal 40%, seven (7) taps would be 80%.
- The light will blink once at three taps and then begin blinking according to the level set to confirm the change after 3 seconds.

Daylight Set Point			
Taps	Light ON	Light OFF	Blinks
4 taps	20%	40%	2 Blinks
5 taps	40%	60%	3 Blinks
6 taps	60%	80%	4 Blinks
7 taps	80%	100%	5 Blinks



Daylight Harvesting or Photo Inhibit Mode

You can select daylight harvesting mode (default) or Photo Inhibit mode. For more information on these operating modes, see the sections at the beginning of this guide titled Occupancy Based Lighting Applications – Photo Inhibit and Daylight Harvesting Application.

A light sensor and wall switch must be linked to the controller before proceeding.

- With the light on, Press the photo sensors TEACH button once followed by clicking the switch ON three times within 5 seconds.

2. Either

- click the switch once more ON to activate Photo Inhibit operating mode.
- or click the switch once OFF to activate Daylight Harvesting operating mode.

The set point values are a percentage of the full scale range of the linked photo sensor.

Invert Relay State Response with Window Switch

When linked as a window switch, the proximity switch will open the relay when the switch is open, closing the relay when the switch closes and after the window switch timer expires.

To invert the relay state, the proximity switch and a wall switch must be linked to the controller.

1. Turn the relay on.
2. Press the window switches TEACH button once followed by clicking the switch ON three times within 5 seconds.
3. Either
 - click the switch once more ON to invert the relay state.
 - or click the switch once OFF to set back to default state.

Adjust the Window Switch Timer

1. Turn the relay ON.
2. Tap the window switches TEACH button to reset the timer period. There are 6 possible settings and the number of taps on the button counts the number according to the time period, see the table below. Level 1 (time out = 0 seconds) is set by tapping 3 times, consecutive taps up to a maximum of 8 taps is Level 6 (time out 2.5 minutes).The relay/light will blink once on the third tap and then begin counting the level set after 3 seconds.

Taps	Timer	Light Blinks
3 taps	0 sec.	1 blink
4 taps	30 sec.	2 blinks
5 taps	1 min.	3 blinks
6 taps	1.5 min.	4 blinks
7 taps	2 min.	5 blinks
8 taps	2.5 min.	6 blinks

Using Smart Click to Configure the Controller

Configuring the controller requires that at least one wireless PTM, ETRS or ETRH wall or hand held switch is linked to the controller.

The Smart Click menu includes these parameters:

Level 1: Learn Mode

Level 2: Clear Switch/Clear All

Level 3: Repeater Function

Level 4: Status Telegram Function

Level 5: Time out Periods

Level 6: Auto-ON with Motion Function

Level 7: Not Used

Level 8: Daylight Harvesting Set-point

Linking the First Switch

1. Press the CLEAR button until the green LEARN led blinks ON, approximately 6 seconds.
2. With the controller cleared or in the factory default state, click the wireless switch ON three times, OFF three times and ON three times quickly within 5 seconds. Using this method of linking a switch will only work on the first wireless switch. Use the learn button or Smart Click to link additional switches.

Entering Smart Click Configuration Mode

It is important to have feedback (attached light) from the controller during configuration. The switch used to configure a controller using Smart Click should only be linked to the controller you're configuring. Add an additional switch if necessary.

Entering Smart Click Configuration Mode

1. *Using a linked switch (see above), turn the light OFF.*
2. *Click and hold the switch OFF until the light turns on, approximately 10 seconds.*
3. *Press ON until the light blinks, about 5 seconds. The light will repeatedly blink once every 5 seconds.*

Level 1 - Linking an additional switch or sensor

1. Enter Smart Click configuration mode and with the light blinking once, press ON for 3 seconds. The light will begin blinking ON/OFF every second.
2. Add additional wireless switches by clicking ON 3 times quickly. Add sensors by pressing the TEACH button on the sensor.
3. To continue with configuration, press the switch ON for 3 seconds, the light will resume blinking once. To exit Smart Click press OFF for 5 seconds.

Level 2 - Clear switches or sensors (restore factory defaults)

1. Enter Smart Click configuration mode and click the switch ON or OFF until the light is blinking twice. Press ON for three seconds.

2. Click the switch ON 5 times to clear the switch, click ON 5 times again to clear ALL switches and sensors and reset the controller to factory defaults.
3. Press OFF for 5 seconds to complete clearing.

Level 3 - Repeater Function - repeats any telegram within range. Telegrams can only be repeated once or twice (single or dual hop). The repeater function can be enabled/disabled by accessing the controller buttons.

1. Press the Clear button and hold then quickly press the Learn button once to disable, twice to enable single hop and three times to enable dual hop repeating. The learn LED will blink the corresponding value of the button press.
2. Release the Clear button.

If there is no access to the controllers buttons, follow the Smart Click steps below.

1. Enter Smart Click configuration mode and click the switch ON or OFF until the light is blinking three times.
2. Press ON for 3 seconds. If the repeater function is enabled the light will turn ON, if disabled the light will be OFF.
3. Click ON to activate this function, OFF to deactivate.
4. To continue with configuration, press ON for 3 seconds, the light will resume blinking three times. To exit Smart Click press OFF for 5 seconds.

Level 4 - Status Telegram - the controller can broadcast a status telegram per EEP A5-11-01. The telegram will broadcast every 100 seconds. Refer to the table on page 15 for a detailed explanation of the telegram. The status telegram can be enabled/disabled by accessing the controller buttons.

1. Press the Learn button and hold, press the Clear button once to disable, twice to enable (this sends the learn telegram).
2. Release the Learn button. The learn LED will blink once when disabling, twice when enabling this telegram.

If there is no access to the controllers buttons, follow these Smart Click steps.

1. Enter Smart Click configuration mode and click the switch ON or OFF until the light is blinking four times
2. Press ON for 3 seconds. If the status telegram function is enabled the light will turn ON, if disabled the light will be OFF
3. Click ON to activate this function, OFF to deactivate
4. To continue with configuration, press ON for 3 seconds, the light will resume blinking four times.
5. To exit Smart Click press OFF for 5 seconds

Level 5 - Timeouts - the controller can be configured to wait a period of time after an ON event from a wireless switch or occupancy sensor before turning the load OFF (auto-off).

1. Enter Smart Click configuration mode and click the switch ON or OFF until the light is blinking five times.
2. Press ON for 3 seconds. The light will turn OFF and then ON per the table settings below. Click ON to move down the table, OFF to move up.

- To continue with configuration, press ON for 3 seconds, the light will resume blinking five times. To exit Smart Click press OFF for 5 seconds.

Light	Timed Switch	Occ. Sensor Timer
OFF	No auto-off	0 sec. (demo)
1 Blink	5 min.	5 min.
2 Blinks	15 min.	10 min.
3 Blinks	30 min.	15 min.
4 Blinks	60 min.	20 min.
5 Blinks	N/A	25 min.

Level 6 - Auto ON Function - use with an motion sensor to turn lights ON automatically when motion is detected. If a motion sensor is used with no switch then Auto-ON is enabled automatically. If a switch is linked later, Auto-ON is disabled.

- Enter Smart Click configuration mode and click the switch ON or OFF until the light is blinking six times.
- Press ON for 3 seconds. If the auto-on function is enabled the light will turn ON, if disabled the light will be OFF.
- Click ON to activate this function, OFF to deactivate.
- To continue with configuration, press ON for 3 seconds, the light will resume blinking six times.
- To exit Smart Click press OFF for 5 seconds.

Level 7 - Not Applicable

Level 8 - Lighting Set point -The set point is a single value that can affect how the controller manages the light output depending on if the controller is setup for daylight harvesting or photo inhibit applications.

When set for photo inhibit operation, the Auto-ON feature associated with a linked occupancy sensor will be ignored when the natural light level measured by the light sensor is above the lighting set point. The photo inhibit feature will not turn lights OFF if the lights are ON.

Photo Inhibit Examples:

- Light level is < day-lighting set point – The lights turn ON automatically when you enter the room.*
- Light level is > day-lighting set point – The lights do not turn ON automatically when you enter the room.*
- Lights are ON and the light level increases past day-lighting set point – The lights stay ON.*
- Lights are OFF and the light level decreases past day-lighting set point – The lights will turn ON upon the next motion detected by the occupancy sensor.*

When set for daylight harvesting operation, the set point is used with a photo sensor (light sensor) and will automatically turn lights on and off based on the set point and ambient light levels.

Enter Smart Click configuration mode and click the switch ON or OFF until the light is blinking eight times.

6. Press ON for 3 seconds. Default setting is 60% of the light sensors full range. There are 4 steps from 20% to 80%, the light will blink the step count. (see table below).

Light Set Point

Taps	Light ON	Light OFF	Light/Relay
4 taps	20%	40%	2 blinks
5 taps	40%	60%	3 blinks
6 taps	60%	80%	4 blinks
7 taps	80%	100%	5 blinks

7. Click on to increase the set-point, off to decrease the set-point.
8. To continue with configuration, press ON for 3 seconds, the light will resume blinking eight times. To exit Smart Click press OFF for 5 seconds.

This concludes the configuration directions for the controller.

Default Settings for Controller

Repeater Disabled
Status Disabled

Time-outs

Motion Sensor 15 minutes
Switch No Time Out
Key Card Switch 30 seconds
Window Switch 30 seconds
Auto-ON Enabled with no linked switch, disabled with linked rocker switch
Light-ON-Setpoint 60% of sensor FSR
Light-OFF-Setpoint 80% of sensor FSR
Grace timer 30 seconds

Status Feedback Telegram

EEP:A5-11-01

DB_3 Illumination
0 ... 510lx, linear n=0...255

DB_2 Illumination Set Point
Min. ... Max., linear n=0...255

DB_1: Dimming Output
Level Min. ... Max., linear
n=0...255

DB_0.BIT_7: Repeater
0b0 disabled, 0b1 enabled

DB_0.BIT_6: Power Relay Timer
0b0 disabled 0b1 enabled

DB_0.BIT_5: Daylight Harvesting
0b0 disabled 0b1 enabled

DB_0.BIT_4: Dimming
0b0 switching load 0b1
dimming load

DB_0.BIT_3: Learn button
0b0 Teach-in telegram 0b1
Data telegram

DB_0.BIT_2: Magnet Contact
0b0 open 0b1 closed

DB_0.BIT_1: Occupancy
0b0 unoccupied
0b1 occupied

DB_0.BIT_0: Power Relay
0b0 off 0b1 on

Listings

ETL Listed Component

Conforms to UL Standard 508

Certified to

CAN/CSA Std C22.2 No.14



TR - Receptacles are tamper resistant

FCC and IC Certifications

Contains FCC ID: SZV-STM300U

The enclosed device complies with Part 15 of the FCC Rules.

Operation is subject to the following two conditions:

- (i.) this device may not cause harmful interference and
- (ii.) this device must accept any interference received, including interference that may cause undesired operation.



IC RSS-210

Contains IC: 5713A-STM300U



MAGNUM
I N N O V A T I O N S

330.915.2382

www.magnum-innovations.com
5675 Hudson Industrial Pkwy Suite 3
Hudson, OH 44236